

Setup Guide

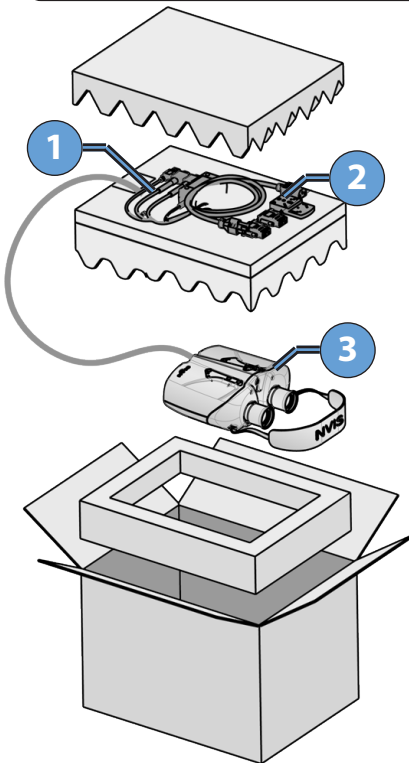
Ranger 47/35

About the Ranger

The NVIS Ranger is a hand-held display designed for professional training and simulation applications. The Ranger 47 features dual SXGA OLED microdisplays with focus-adjustable eyepieces displaying a 47 degree diagonal field-of-view (36H x 28V) or a 35 degree round field-of-view for the Ranger 35. It also includes a central hinge for IPD adjustments. Stereopsis is supported via two independent video inputs. The Ranger has an external mounting plate that accommodates industry standard motion trackers. The Ranger provides 4 programmable USB Joystick compatible buttons, plus a z-axis scroll wheel, offering developers and users a wide array of interactivity within their applications.



Package Contents

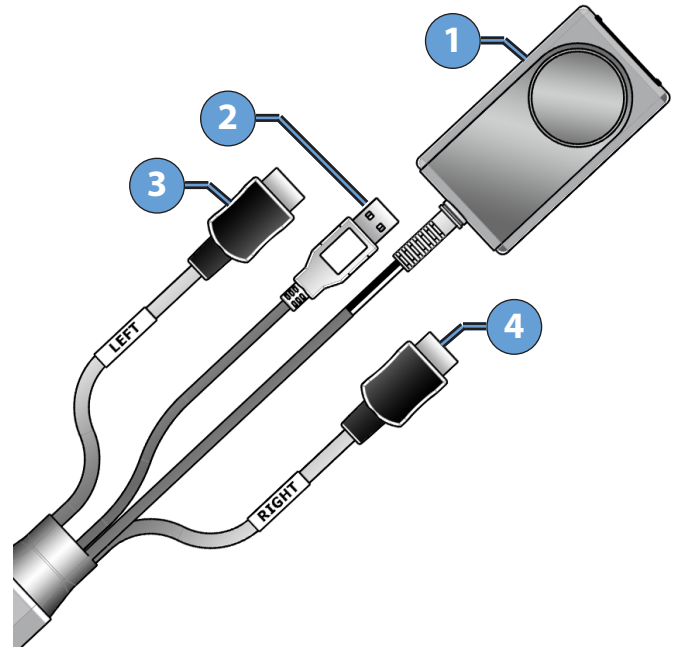


Included in the Box

- Ranger 47/35
- Neck Strap
- Universal Power Supply
- Power Cable
- DVI to HDMI Adapters
- Cleaning Kit
- Setup Guide

Place Binoculars in anti-static bag before wrapping cables.

Connections



- 1 Power Supply
- 2 USB Cable
- 3 HDMI Cable Left
- 4 HDMI Cable Right

- 1 Accessories
- 2 Coiled Binocular Cables
- 3 Ranger 47/35

Care & Maintenance

Protect the cables.

Do not pull or bend the power cable or signal cable. Do not place any heavy objects on these cables. To disconnect the power cable or signal cable, always pull from the plug, not the cable.

Use original NVIS packaging when shipping products.

NVIS products use precision-engineered optical and mechanical components that can be damaged if not adequately protected during shipment.

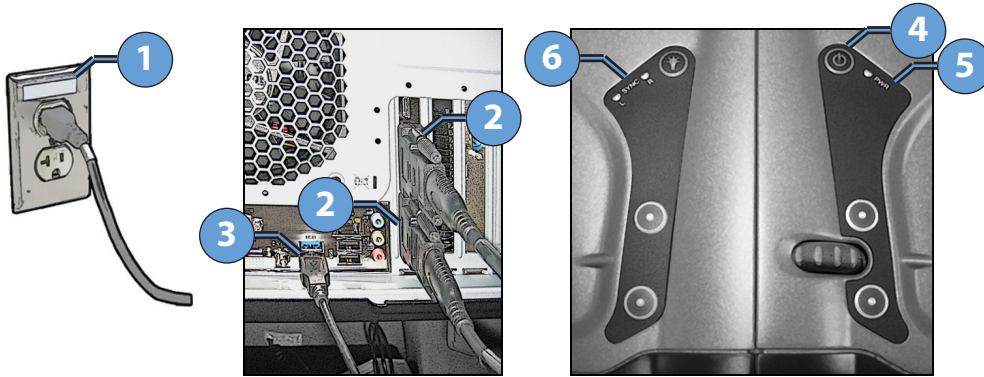
Use only pure isopropyl alcohol and professional lens cleaning paper. A sample cleaning kit is provided with your unit.

Use screen savers.

The Ranger OLED microdisplays are subject to image retention. Screen savers must be used to prevent static images from lasting longer than 2 minutes.

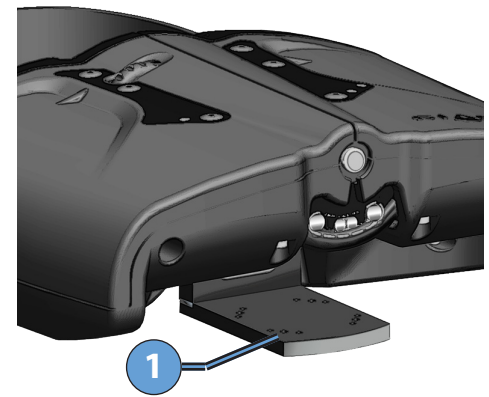
Image retention is not covered by the NVIS Product Warranty.

Step-by-Step



- 1 Plug the Ranger universal power supply into a standard 110-240 VAC outlet.
- 2 Connect one or both HDMI adapters to a PC graphics card, using the DVI to HDMI adapters if needed. A single connection clones the image to both eyes. Use both connectors for stereoscopic applications.
- 3 Connect the USB cable to the PC.
- 4 Press and hold the POWER button for 2 seconds.
- 5 Power LED illuminates to indicate power is on.
- 6 L and R video LEDs illuminate when correct video format is supplied to left and right channels, respectively.

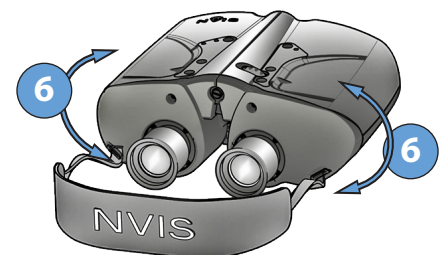
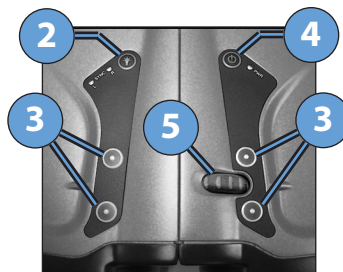
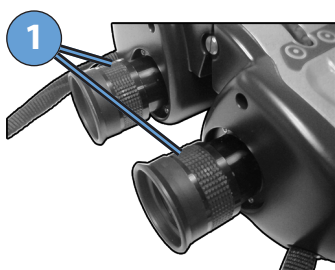
Tracker Mount



- 1 Existing hole spacing accommodates the InertiaCube orientation sensors. Other trackers can be mounted via custom plate or adhesive.

Consult manufacturer documentation for optimal motion tracking hardware setup and configuration.

Adjustments



- | | | |
|---|------------------------------------|---|
| 1 | Focus Adjustment | Turn eyepieces to adjust focus |
| 2 | Brightness Button | Cycles through 3 different levels of brightness |
| 3 | USB Buttons | Programmable interaction using USB interface |
| 4 | Power Button | Powers on/off device |
| 5 | Scroll Wheel | Programmable interaction using USB interface |
| 6 | Interpupillary Distance Adjustment | Pivot two halves of device around central hinge (axis) to adjust distance between oculars |

Operating Notes

Power to Ranger must be turned on only after computer (IG) is completely booted up.

Ranger is equipped with an accelerometer to turn off the displays when the device is stationary for 2 minutes. Timeout duration and sensitivity may be adjusted in NVIS Uni Software.

Full product specification, software, and documentation is available at www.nvisinc.com.

Ranger is intended for use in standard office environments and is not designed for outdoor or harsh environmental conditions.

Customer Support

Online
www.nvisinc.com

E-mail
support@nvisinc.com

Phone
+1 571-201-8095

RMA Instructions

All product returns must include a Case number. Customers can request a Case number online, via e-mail, or by calling NVIS and selecting the technical support menu option. Please keep original package materials for return shipments to NVIS. Follow the diagram in the Packing Contents section of this guide. Please do not include any accessories.